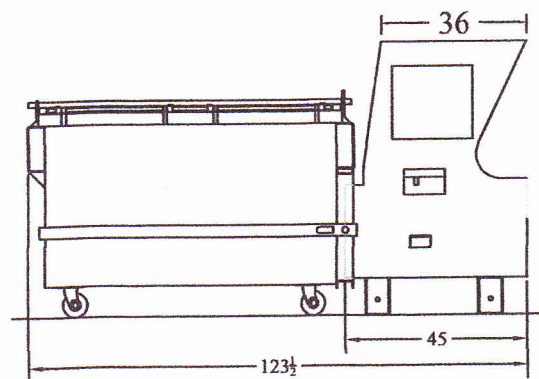
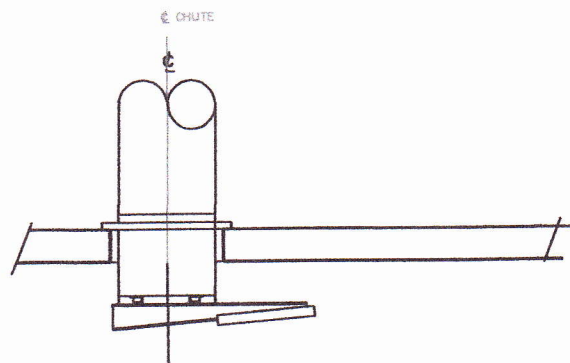


HYDRAULIC PACK FOR COMPACTOR

TYPICAL PLAN



SIDE VIEW

DESCRIPTION	REV.	DATE	INT.
400-C5			
JOB:			
ADDRESS:			
JOB #			